

4

3

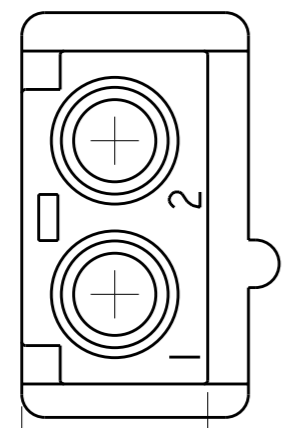
2

1

THIS DRAWING IS UNPUBLISHED. RELEASED FOR PUBLICATION 20

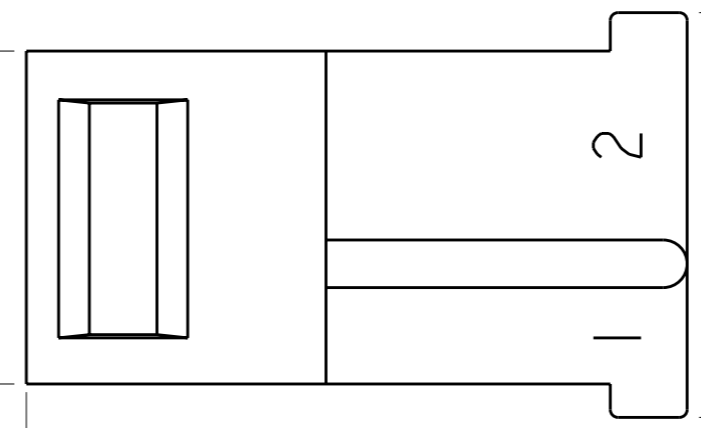
© COPYRIGHT 20 BY TYCO ELECTRONICS CORPORATION. ALL RIGHTS RESERVED.

LOC	DIST	REVISIONS			
P	LTR	DESCRIPTION	DATE	DWN	APVD
CM	00	D1	REVISED PER ECR 12-000628	11JAN12	JR TM

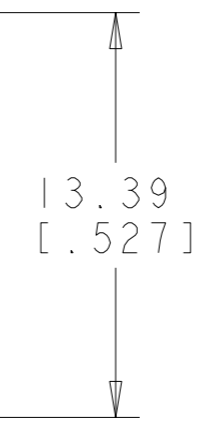


10.97-11.08  
[.432-.437]

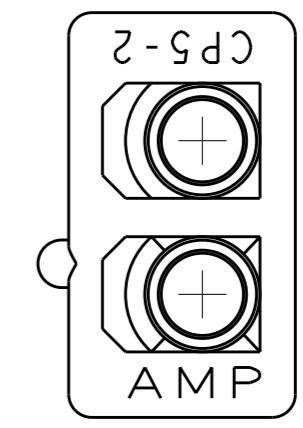
6.10-6.22  
[.240-.245]



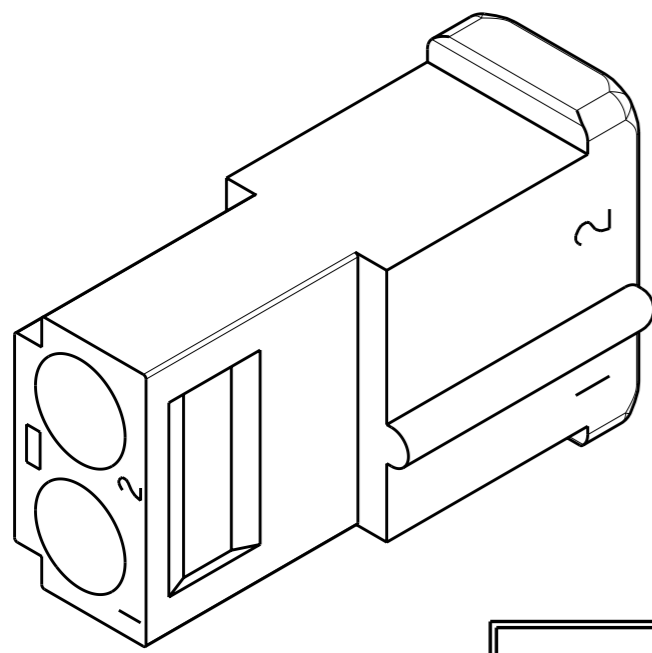
21.84  
[.860]



13.39  
[.527]



7.49  
[.295]



1-480393-1  
PART NO

**METRIC**

THIS DRAWING IS A CONTROLLED DOCUMENT FOR TYCO ELECTRONICS CORPORATION. IT IS SUBJECT TO CHANGE AND THE CONTROLLING ENGINEERING ORGANIZATION SHOULD BE CONTACTED FOR THE LATEST REVISION.

DIMENSIONS: mm [ INCHES ]	TOLERANCES UNLESS OTHERWISE SPECIFIED:
	0 PLC ±-
	1 PLC ±-
	2 PLC ±0.13 [.005]
	3 PLC ±-
	4 PLC ±-
	ANGLES ±0° 30'
MATERIAL NYLON, UL94V-2, BLACK WEATHER RESISTANT	FINISH -

DWN K. WHITAKER	16-APR-2003
CHK D. COLEY	16-APR-2003
APVD D. COLEY	16-APR-2003
PRODUCT SPEC	-
APPLICATION SPEC	-
WEIGHT	-
CUSTOMER DRAWING	

<b>tyco</b> Electronics		Tyco Electronics Harrisburg, PA 17105-3608	
NAME PLUG, 2 CIRCUIT, COMMERCIAL MATE-N-LOK™			
SIZE A3	CAGE CODE 00779	DRAWING NO C-480393	RESTRICTED TO -
SCALE 4:1		SHEET 1	OF 1
		REV D1	